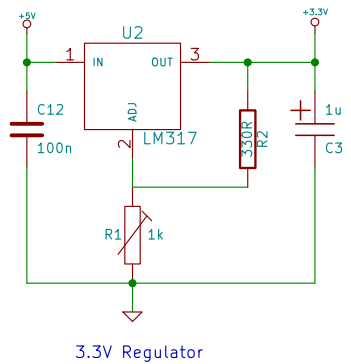
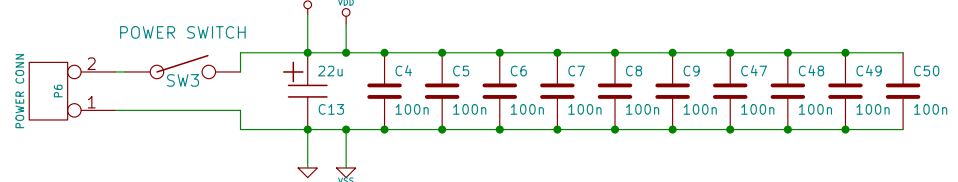


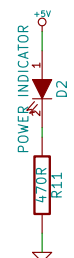
Analog Multiplexer (64:1)



3.3V Regulator



Bypass Capacitors (place near VDD pins of ICs)



Sensor Module

Licensed under the GNU GPLv3 (or later)
<http://www.gnu.org/copyleft/gpl.html>
<http://zool33.uni-graz.at/petz/midi>
 Markus Petz
 File: midi-controller-64.sch
 Sheet: /
 Title: MIDI Controller (64 Inputs)
 Size: User Date: 23 apr 2013 Rev: 1.1
 KiCad E.D.A. Id: 1/2